

THERMOGENICS ATMOSPHERIC TANKS

Thermogenics Inc.
6 Scanlon Court, Aurora, ON, Canada, L4G 7B2
Tel: 905.727.1901 Fax: 905.727.7456
www.thermogenics.com

Thermogenics USA
4426 Mt Carmel Tobasco Road, Suite A
Cincinnati, OH, 45244
Tel: 513.528.0500 Fax: 513.528.0592
www.thermogenics.com

CAPACITY*

- 30 to 1,000 US gallons

*Custom capacities are available upon request. Please contact Thermogenics.

PRESSURE

- Atmospheric

ATMOSPHERIC TANK CONFIGURATIONS*

- Feed Tank
- Surge/Condensate Tank

*High pressure options are available upon request. Please contact Thermogenics.

TRIM OPTIONS AND UPGRADES

- PLC Panel Upgrade
 - Multi-communication protocols available
 - VFD on Pumps
- Suction Manifolds
- Discharge Manifolds
- Pump Lead/Lag Control
- Pre-heat kit
- Chemical injection



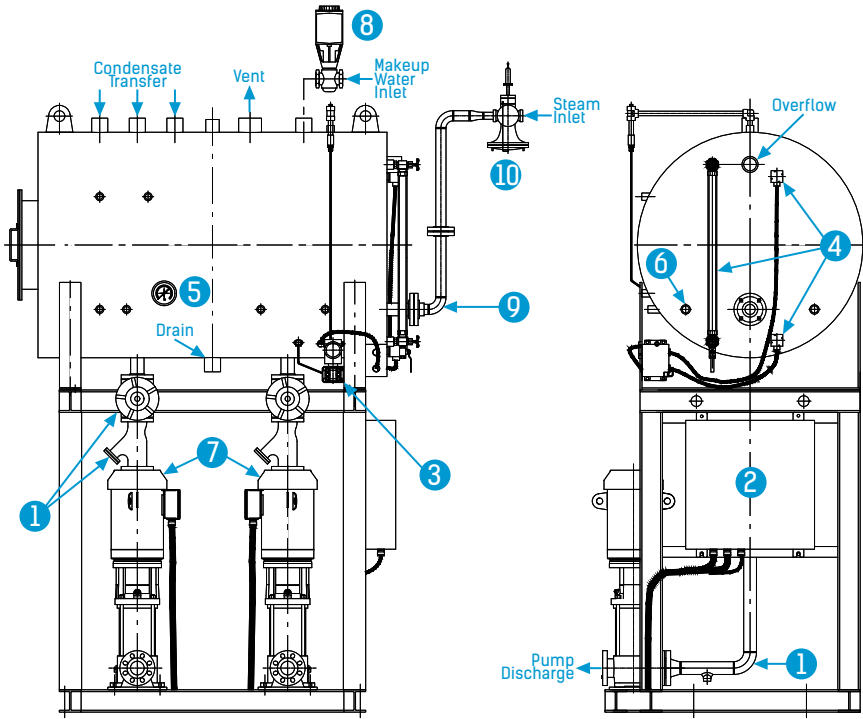
DIMENSIONS AND WEIGHTS

Capacity ¹	Standard Tank Size ^{1,2,3} (Diameter x Length)	Approx. Package Shipping Weight ⁴	Approx. Package Flooded Weight ⁴
30-150 USG	30" x 60"	1,400 lbs	2,660 lbs
	36" x 40"	1,250 lbs	2,500 lbs
200 USG	36" x 52"	1,950 lbs	3,620 lbs
300 USG	36" x 70"	2,050 lbs	4,550 lbs
350 USG	42" x 65"	2,500 lbs	5,430 lbs
500 USG	42" x 84"	2,500 lbs	6,660 lbs
	48" x 75"	2,640 lbs	6,820 lbs
750 USG	48" x 110"	3,200 lbs	9,460 lbs
1000 USG	48" x 142"	3,800 lbs	12,150 lbs

1. Custom sizes and capacities are available. Please contact Thermogenics.
2. Standard 5' tank stand frame provided. Stand height may be customized as per site requirements.
3. Tank comes in Carbon Steel standard. Stainless Steel is optional.
4. Weights may vary based on quantity and type of pumps, and trim options selected



Atmospheric Tank Configuration and Trim Options



ITEM	FEED TANK	SURGE/CONDENSATE TANK
1. Standard Pump Suction Piping: • Isolation Valve • Strainer • Welded piping	✓	✓
2. Standard Control Panel: • Level Control with Display • High/Low Level Alarms • Low level Pump Protection • Pumps Starters • Local Pump Disconnects	✓	✓
3. Differential Pressure Level Control	✓	✓
4. High/Low Water Protection Probes and Gauge Glass	✓	✓
5. Temperature Indicator	✓	✓
6. Chemical Injection Connection	✓	Optional
7. Pumps	Boiler Feedwater	Condensate Transfer
8. Make-up Water Control Valve	✓	Optional
9. Sparge Tube Steam Heater	✓	Optional
10. Condensate Temperature Control Valve	✓	Optional

Deaerator and Condensate Typical Flow Schematic

